



➔ **Product Type**
Miniature Rocker Switches

➔ **Product Series**
T-Series: Mini Tippette

The T-Series Mini Tippette rocker switches are single pole snap-in switches. The predecessor to the Corvette series, the T-Series versatility has allowed it to stand the test of time. Traditional styling coupled with self-cleaning contacts, integrated wire leads, a multitude of single throw and double throw momentary and maintained circuits, a variety of ratings and actuator choices and colors makes the T-Series appealing to a wide range of markets including Appliance, HVAC, Food Service, and Transportation.

Certifications

UL CSA VDE

Number of Poles

1 pole

Ratings

5A 250VAC
10A 125VAC
1/2HP 125-250VAC

5A 250VAC 1/2HP
10A 125VAC 1/2HP
5A (TUNGSTEN)
125VAC L

10A 250VAC
16A 125VAC
1/2HP 125-250VAC

10A 250VAC
15A 125VAC
3/4HP 125-250VAC

10A 250VAC
15A 125VAC
20A 125-250VAC H
3/4HP 125-250VAC

10A 250VAC
15A 125VAC
3/4 HP 125-250VAC
10(4)A 250VAC T85u

10A 250VAC
15A 125VAC
10(4)A 250VAC T85u

Dielectric Strength

1,000 V RMS (minimum)

Insulation Resistance

100 megohms (minimum)

Base Material

Nylon

Actuator Style

Angled Rocker
Momentary Rocker
Paddle Short
Paddle Plunger

Actuator Material

Nylon

Bezel Material

Nylon

Terminal Options

Solder Lugs
.250 QC Tabs
.187 QC Tabs
Wire Leads

Mounting Method

Snap-In

Mounting Hole Dimensions

.550" x 1.125"; 13.97mm x 28.57mm

Value Added

Custom colors and legends available

T-Series Single Pole Rocker & Paddle Switches



The predecessor to the Curvette series whose versatility has allowed it to stand the test of time. Traditional styling coupled with self cleaning contacts, integrated wire leads, a multitude of circuits, ratings, and actuator choices has made the TA/LTA-Series appeal to a wide range of markets, including Appliance, HVAC, Food service, Transportation.

Dielectric Strength

UL/CSA:
1000V - live to dead metal parts
VDE:
4000V - live to dead metal parts;
750V - across open contacts

Electrical Life

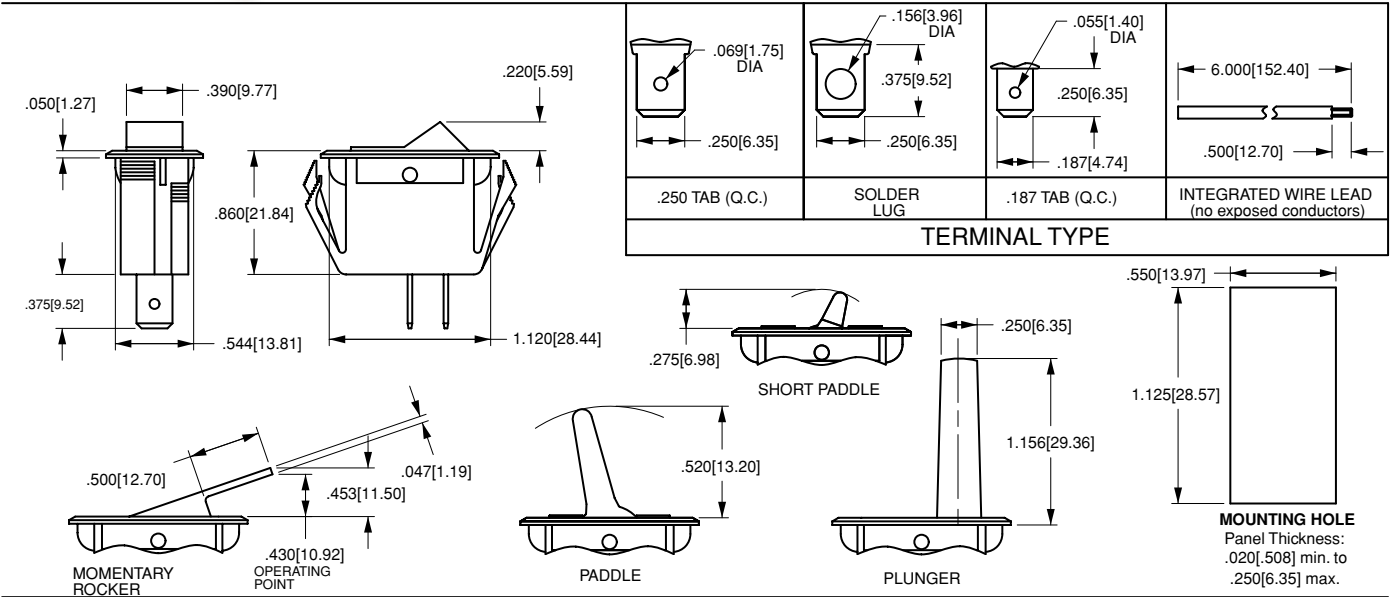
100,000 cycles

Mechanical Life

100,000 cycles

Operating Temperature

32°F to 185°F (0°C to 85°C)



TA201 - **T** **B** - **B**

1 Base Part Number

2 Actuator Style

3 Actuator Color

4 Bezel Color/Style

1 BASE PART NUMBER: SERIES/CIRCUITRY/RATING⁴/TERMINATION

	Solder Lugs	.250 Tabs	Wire Leads
10A 250 VAC, 15A 125 VAC, 3/4 HP 125-250 VAC			
ON-NONE-OFF	TA200	TA201	TA205
ON-NONE-ON	TB200	TB201	TB205
ON-OFF-ON	TC200	TC201	TC205
10A 250 VAC, 15A 125 VAC, 3/4 HP 125-250 VAC, 10(4) A 250VAC T85u⁶			
ON-NONE-OFF	TA800	TA801	TA805
ON-NONE-ON	TB800	TB801	TB805
ON-OFF-ON	TC800	TC801	TC805
5A 250 VAC, 10A 125 VAC, 1/2 HP 125-250 VAC			
(ON)-NONE-OFF	TA10A	TA10B	TA10F
ON-NONE-(OFF)	TA10L	TA10M	TA10T
ON-NONE-(ON)	TB10A	TB10B	TB10F
T-SERIES W/ PLUNGER ACTUATOR^{1,2}			
10A 250 VAC, 16A 125 VAC, 1/2 HP 125-250 VAC			
OFF-NONE-(ON)	-	TA25B-PLB-B	TA25F-PLB-B
ON-NONE-(OFF)	-	-	TA25T-PLB-B
T SERIES W/ MOMENTARY ROCKER ACTUATOR			
10A 250 VAC, 15A 125 VAC, 20A 125-250 VAC "H", 3/4 HP 125-250 VAC			
(ON)-NONE-OFF	-	TA22B-TLB-B	-
ON-NONE-(OFF)	-	TA22M-TLB-B	-

2 ACTUATOR STYLE

T	rocker	PS	short paddle
P	paddle		

3 ACTUATOR COLOR⁵

B	black	W	white
---	-------	---	-------

4 BEZEL COLOR⁵

B	black	W	white
---	-------	---	-------

NOTES

Imprinting is available. Consult factory.

1 Optional plunger support option is available for applications requiring extensive lateral travel, consult factory for details.

2 Maintained circuit not available with TA22 and TA25 Series.

3 .187 tab terminals also available. Consult factory for catalog number callout.

4 Additional ratings are available. Consult factory.

5 Additional colors are available. Consult factory.

6 UL, CSA & VDE Approved.

() Indicates momentary function.